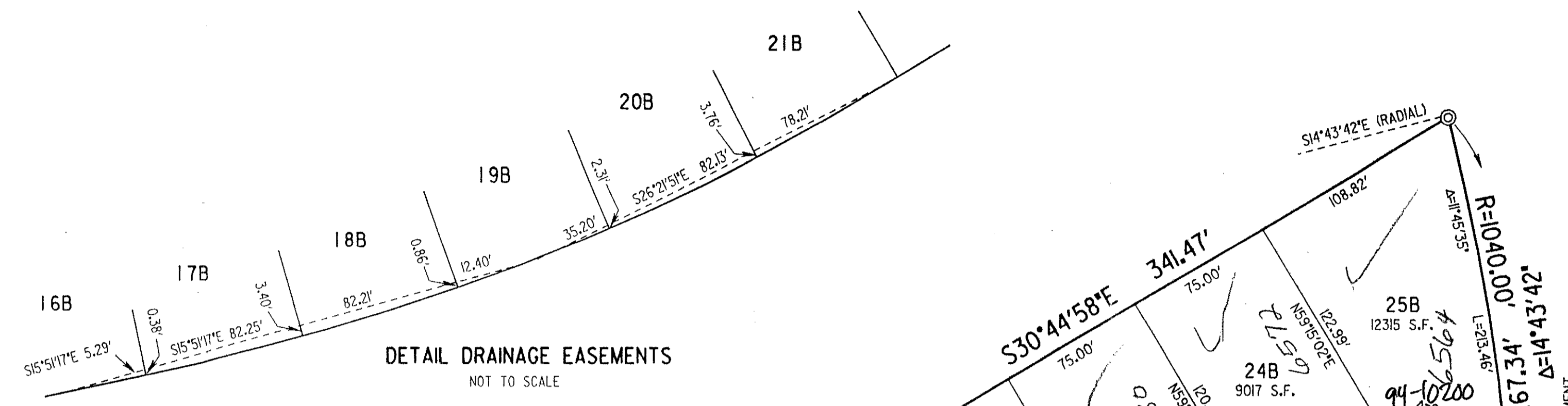
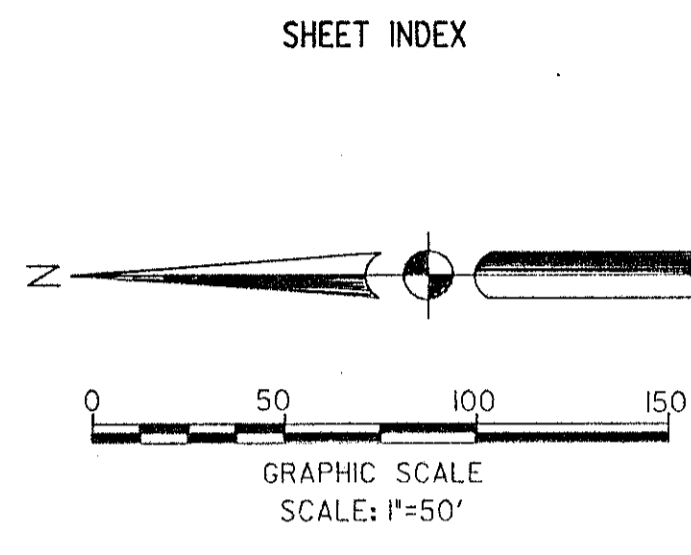
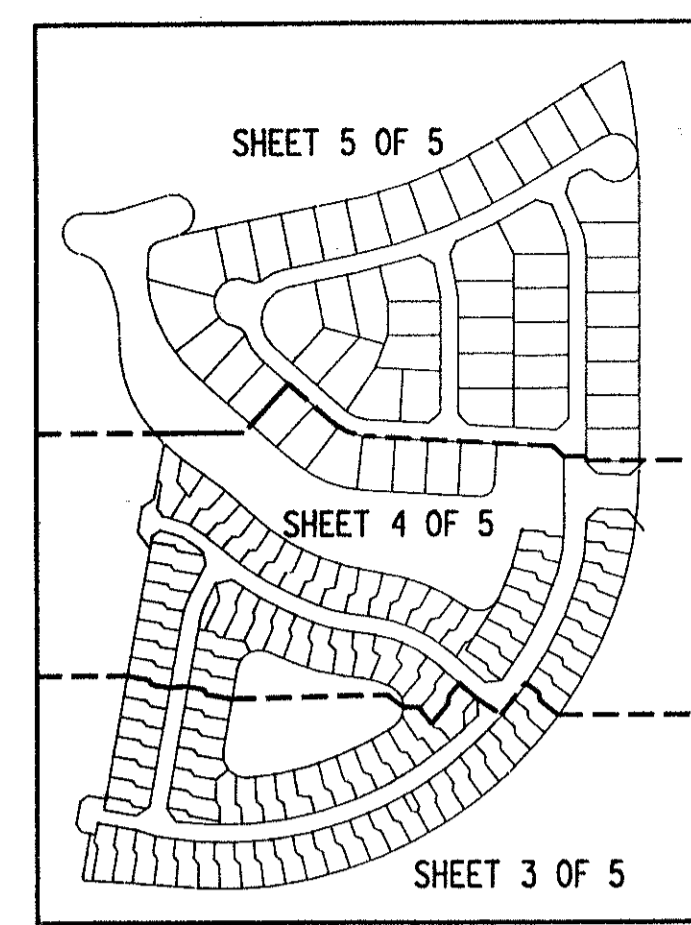


WINSTON TRAILS PARCEL NINE

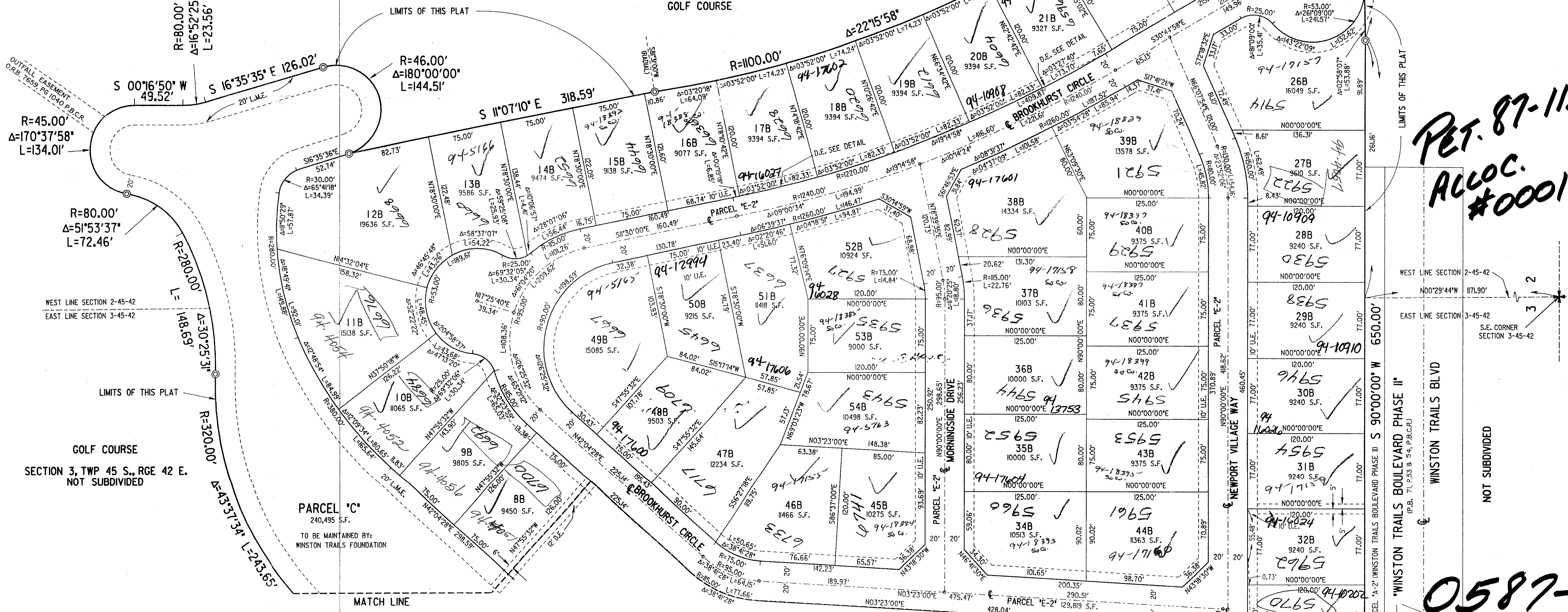
PART OF A P.U.D.
LYING IN SECTIONS 2 AND 3, TOWNSHIP 45 SOUTH, RANGE 42 EAST,
PALM BEACH COUNTY, FLORIDA.

PREPARED BY:
JON P. WEBER IN THE OFFICES OF
KEITH AND SCHNARS, P.A.
ENGINEERS - PLANNERS - SURVEYORS
6500 NORTH ANDREWS AVENUE
FORT LAUDERDALE, FLORIDA 33309
(305) 776-1616
SEPTEMBER 1992
DWG. NO. P2997U:4162UPL2.DGN

STATE OF FLORIDA
COUNTY OF PALM BEACH
THIS PLAT WAS FILED FOR RECORD
AT _____ M, THIS _____ DAY
OF _____ 199____, AND DULY
RECORDED IN PLAT BOOK NO. _____
ON PAGES _____ THRU _____
DOROTHY H. WILKEN
CLERK OF THE CIRCUIT COURT
BY: _____ D.C.



SECTION 2, TWP 45 S., RGE 42 E.
NOT SUBDIVIDED
GOLF COURSE



PET. 87-112
ALLOC.
#0001

WEST LINE SECTION 2-45-42
EAST LINE SECTION 3-45-42
S.E. CORNER SECTION 3-45-42

WINSTON TRAILS BLVD
WINSTON TRAILS BOULEVARD PHASE II
WINSTON TRAILS BOULEVARD PHASE III

NOT SUBDIVIDED

0587-006
71145

SUBDIVISION Parcel 9 Winston Trails
BOOK 71 PAGE 141
FLOOD ZONE B FLOOD MAP # 170A
GRID # 34 ZONING RTS
SE 87-112 ZIP CODE 33463
PUD NAME WINSTON TRAILS

NOTICE
THERE MAY BE ADDITIONAL RESTRICTIONS THAT
ARE NOT RECORDED ON THIS PLAT THAT MAY BE
FOUND IN THE PUBLIC RECORDS OF THIS COUNTY.

SEE SHEET 4 OF 5

WINSTON TRAILS PARCEL NINE

TAZ 437